

## Product Technical Data Sheet

### 12 -11 BattenZips

Part Number	Description	Pack Qty	Pallet Qty
6-311-0610-1MP	12 - 11 x 40 Hex Head BattenZips® Climaseal® 3	1000	105,000
6-311-0694-4MP	12 - 11 x 35 Hex Head BattenZips® Climaseal® 3	1000	105,000

#### Application:

Buildex® 12 - 11 Hex Head BattenZips® are designed for fixing thin metal roofing battens, to timber trusses. The product can also be used as companion screws in steel roof and floor truss assembly and general fixing.

#### Drilling Capacity:

Top Hat Batten - 0.55 mm ~ 0.75 mm | Steel Stud up to 1.2mm | Timber - Pine, Hardwood and Ultra Hard Timber

#### Features:

Hex Drive  
Zips Point  
Coarse Thread  
Finish

#### Benefits:

For positive drive under high installation torque  
For drilling into steel and timber  
To ensure maximum pullout strength and a high strip torque in timber, ranging in hardness from soft and ultra hard.  
Corrosion performance Class 3 to suit the application.

#### Installation Instructions:

1. Use a  $\frac{5}{16}$  Hex Hexagon Driver Bit (Buildex® Part Number 1-991-1366-9).
2. Use a mains powered or cordless screw driver with a 2,500 RPM speed.
3. Fit the hex driver bit over the screw and place at the fastening position.
4. Apply consistently firm pressure (end load) to the screw driver until the screw has drilled and fastened.

**Material:** Carbon Steel SAE 1022 | **Heat Treatment:** To AS 3566.1 | **Finish:** Climaseal® 3

#### Mechanical Properties:

Single Shear Strength (N) 8,400 | Axial Tensile Strength (N) 13,900 | Torsion Strength (Nm) 13.5

#### Pullout Values:

0.55 mm Batten 1,540 | 0.75 mm Batten 2,420 | 1.2 mm Stud 2,680

\*F7 (Pine) Timber (N) 5,710 | Into F17 (Hardwood) Timber (N) 6,460 | Ultra Hard Timber 6,960

All values are averages obtained under laboratory conditions and appropriate safety factors should be applied for design purposes.

These figures are applicable to Buildex® head marked product only.

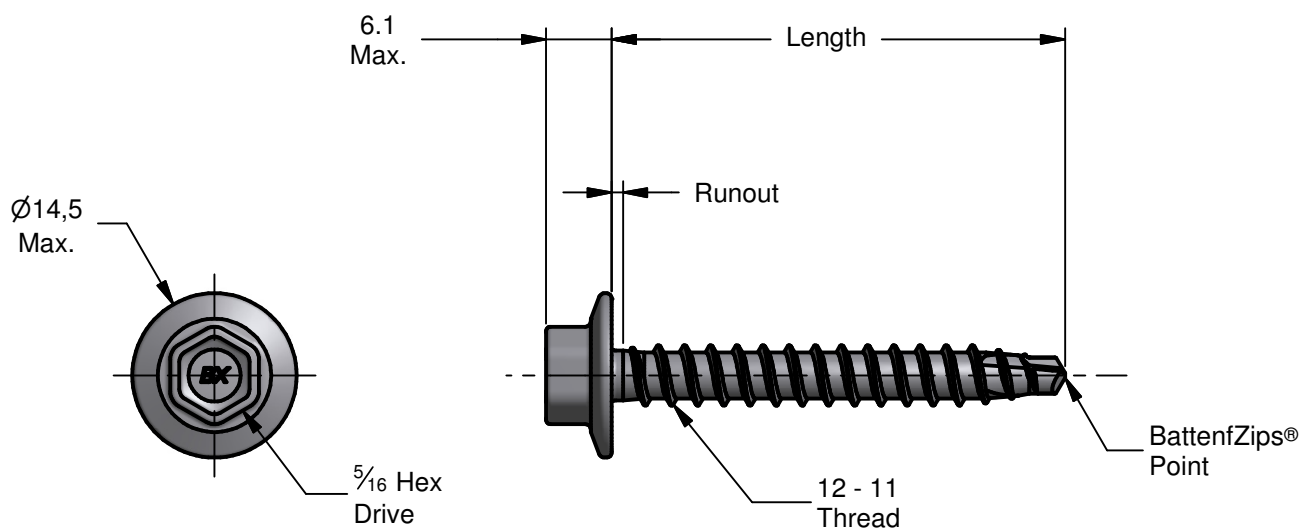
\*Timber values are at 35,0 mm embedment.

#### Corrosion Performance:

Buildex® BattenZips® complies to Australian Standards AS3566.2 Class 3

## Product Technical Data Sheet

### 12 -11 BattenZips



Description	Length	Runout
12 - 11 x 40 Hex Head BattenZips® Climaseal® 3	38.5 / 40.0	2.0 Max.
12 - 11 x 35 Hex Head BattenZips® Climaseal® 3	33.5 / 35.0	4.5 / 5.5

All dimensions nominal unless otherwise stated. Normal manufacturing tolerances apply.

Buildex® Head Office  
 600 South Road  
 Moorabbin Victoria 3189  
 Australia  
 1300 368 101  
 CustomerService-MBN@buildex.com.au

Buildex® Middle Eastern Sales Office  
 middleeastsales@buildex.com.au

Technical Help Desk  
 Technicalhelpdesk@buildex.com.au